

SUMMER WAVES™ ELITE RECTANGULAR FRAME POOL

FOR ABOVE GROUND SWIMMING POOLS
18' - 24' (5.49m - 7.32m) models



READ, AND KEEP THESE INSTRUCTIONS FOR FUTURE REFERENCE

Should you encounter a problem with your Polygroup® Product, please do not return the product to the place of purchase. All Warranty claims must be made directly to Polygroup®. Prior to contacting Customer Service, please first review the Troubleshooting Guide in the Installation Manual, or review the FAQ at www.Polygroup.com. Please review setup instruction videos on www.Polygroup.com/video. If you are still unable to correct the problem, please contact Polygroup® Customer Service at Appendix. Have the product type and your purchase receipt ready. Our Customer Service Representative will assist you in resolving the problem. You may be asked to return all or part of the product for inspection and/or repair. Do not return any product to Polygroup® without a Return Authorization number.

LIMITED WARRANTY

Polygroup® Limited (Macao Commercial Offshore), (hereinafter "Polygroup®") warrants to the original purchaser only, the Rectangular Frame Pool against defects in material and workmanship for 90 days from the date of purchase. Original Purchaser must retain proof of such purchase in the form of an original store sales receipt and must produce such upon request by Polygroup® or its designated agents. Warranty claims cannot be processed without a valid proof of purchase. This Limited Warranty applies only to the original purchaser of the product and is limited solely to the repair or replacement of the product, to be decided in Polygroup®'s sole discretion. Consequential damages, including claims for loss of water, pool chemicals, damage, or labor are not covered under this Limited Warranty.

This Warranty will be declared invalid should the Purchaser modify or repair the product themselves or by unauthorized persons; use non-Polygroup® parts or accessories with the product; use the product in contravention of the manufacturer's Instructions; use improper voltage; abuse the product in any way; or through accident or negligence. Normal wear-and-tear is not covered under this Warranty, nor are acts of God outside the control of Polygroup®.

IN NO EVENT SHALL Polygroup®, THEIR AUTHORIZED AGENTS, RELATED ENTITIES, OR EMPLOYEES BE LIABLE TO THE BUYER OR ANY OTHER PARTY FOR DIRECT OR CONSEQUENTIAL DAMAGES. Some states or countries, or others jurisdictions do not allow the exclusion or limitation of incidental or consequential damages, so the above limitation or exclusion may not apply to you.

TABLE OF CONTENTS

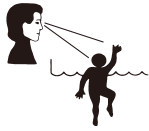
Warnings	3 ~ 5
Parts List	6
Setup Instructions	7 ~ 9
Pool Maintenance & Draining	10
Pool Storage & Winterizing	11
Pool Safety Sign	11
Pool Cover Safety.....	12
Customer Services Contact.....	13

IMPORTANT SAFETY INSTRUCTIONS

When installing and using this electrical equipment, basic safety precautions should always be followed, including the following:

READ AND FOLLOW ALL INSTRUCTIONS

Keep for Future Reference. Failure to follow these warnings and instructions can result in serious injury or death to users, especially children.



DANGER	
<p>PREVENT DROWNING</p> <p>Watch children at all times. Observe all Safety Rules.</p>	<p>NO DIVING! NO JUMPING!</p> <p>Shallow Water - You can be permanently injured.</p>

WARNING	
<p>DO NOT SIT ON OR LAY OVER POOL WALL</p> <p>You can be permanently injured.</p>	<p>AVOID ENTRAPMENT</p> <p>Stay away from suction fittings. You may drown.</p>



Please read carefully and keep for future reference

	<ul style="list-style-type: none"> Set up the pool only on LEVEL, STABLE, and COMPACT soil. DO NOT set up the pool on sand surface. DO NOT use sand to level the ground. Sand can be washed out, causing the pool to DEFORM and COLLAPSE. Failure to comply may result in PERSONAL INJURY. Excessive sand inside the pool will DAMAGE the pool liner and filtration system. Failure to follow these instructions will void the warranty.
--	--

NOTICE: CUSTOMERS THAT PURCHASE POOLS MAY BE REQUIRED BY LOCAL OR STATE LAW TO INCUR ADDITIONAL EXPENSES WHEN INSTALLING A POOL, IN ORDER TO COMPLY WITH STATE OR LOCAL LAWS REGARDING FENCING AND OTHER SAFETY REQUIREMENTS. CUSTOMERS SHOULD CONTACT THEIR LOCAL BUILDING CODE ENFORCEMENT OFFICE FOR FURTHER DETAILS.

WARNING

Carefully read, understand, and follow all information in this user manual before installing and using the swimming pool. These warnings, instructions, and safety guidelines address some common risks of water recreation, but they cannot cover all risks and dangers in all cases. Always use caution, common sense, and good judgment when enjoying any water activity. Retain this information for future use.

Non Swimmers safety

- Continuous, active, and vigilant supervision of weak swimmers and non-swimmers by a competent adult is required at all times (remembering that children under five are at the highest risk of drowning);
- Designate a competent adult to supervise the pool each time it is being used;
- Weak swimmers or non-swimmers should wear personal protection equipment when using the pool;
- When the pool is not in use, or unsupervised, remove all toys from the swimming pool and its surrounding to avoid attracting children to the pool.

Safety devices

- It is recommended to install a barrier (and secure all doors and windows, where applicable) to prevent unauthorized access to the swimming pool;
- Barriers, pool covers, pool alarms, or similar safety devices are helpful aids, but they are not substitutes for continuous and competent adult supervision.

Safety equipment

- It is recommended to keep rescue equipment (e.g. a ring buoy) by the pool;
- Keep a working phone and a list of emergency phone numbers near the pool.

Safe use of the pool

1. Encourage all users especially children to learn how to swim;
2. Learn Basic Life Support (Cardiopulmonary Resuscitation - CPR) and refresh this knowledge regularly. This can make a life-saving difference in the event of an emergency;
3. Instruct all pool users, including children, what to do in case of an emergency;
4. Never dive into any shallow body of water. This can lead to serious injury or death;
5. Do not use the swimming pool when using alcohol or medication that may impair your ability to safely use the pool;
6. When pool covers are used, remove them completely from the water surface before entering the pool;
7. Protect pool occupants from water related illnesses by keeping the pool water treated and practicing good hygiene. Consult the water treatment guidelines in the user's manual;
8. Store chemicals (e.g. water treatment, cleaning or disinfection products) out of the reach of children;
9. Removable ladders shall be placed on a horizontal surface(if applicable).

Ladder (if applicable)

1. Check all nuts and bolts for tightness and tighten when required(if applicable).
2. Maximum allowable weight (150 kg).
3. Ladder shall not be used for other purposes.

Safety Care for Children

1. In a swimming pool, the major risk for children under 5 is drowning and therefore it is recommended either during the bathing period or at any other times, that the prevention of unauthorised access to a pool should be aided by securing the boundary of the property, or the relevant area near the pool. Where this is impractical, parents should seek to secure the means of access to the swimming pool, when it is not in use.
2. The safety of your children depends only on you! The highest risk is with children under five years of age. Accidents do not happen only to others! Be prepared to respond!
3. Remember that as a parent, you are always responsible for your child's safety.
4. Children shall be under constant, active and vigilant supervision. The supervisor shall be capable of removing the child from the water and calling the emergency services if necessary.
5. Designate one parent to be the supervisor in charge of safety.
6. Teach your children to swim as early as possible.
7. Prohibit diving and jumping in the presence of small children.
8. Do not allow children who cannot swim or are weak swimmers to enter the swimming pool without wearing proper protection (PPE).
9. Children who cannot swim or are weak swimmers shall not enter the water unaccompanied.
10. Store water treatment products out of the reach of children.
11. Keep children in your direct sight, stay close, and actively supervise them when they are in or near this pool and when you are filling and emptying this pool.
12. When searching for a missing child, check the pool first, even if the child is thought to be in the house.

Moreover, some equipment can contribute to safety for children under 5 years :

1. Children's personal protective equipment;
 2. Protection barrier whose gate is constantly maintained closed (for example, a hedge cannot be considered a barrier but a wall, or wooden fence would be relevant to prevent unauthorised access from neighbours, or animals);
 3. Manual or automatic protection cover correctly installed and secured;
 4. Electronic movement or fall detector, in service and operational;
- but they cannot replace close supervision under any circumstances even during the bathing periods.

Swimming Pool Awareness

1. The pool is to be assembled by an adult; care should be taken in unpacking and assembling the pool; this pool may contain accessible potentially hazardous sharp edges or sharp points that are a necessary part of the pool's function.
2. The floor of the pool shall be visible at all times from the outside perimeter of the pool.
3. Never allow horseplay, diving, or jumping into or around the pool. Serious injury, paralysis, or death could result when this rule is disregarded.
DO NOT ALLOW anyone to swim alone without supervision.

WARNING: This pool must be assembled on a smooth and level site of firm soil that is free of stones, gravel, sticks, black-top, or other oil based compounds. Do not install pool on a wooden deck or any type of wooden surface.

NOTE: This pool has a maximum water fill level marked on the inside wall. Do not overfill; drain to proper level.

EMPTYING POOL: Push down on side wall to empty pool water and/or lift up one side of pool to empty pool water.

NOTE: 1. Pool can be cleaned with mild soap and lukewarm water only.

2. Make sure pool is completely dry before storing to help prevent mildew from forming.

3. Store all parts in a dry heated area where temperatures do not go below 32° F.

Danger

Competent supervision and knowledge of the safety requirements is the only way to prevent drowning or permanent injury in the use of this product!

Warning

ADULT ASSEMBLY REQUIRED: Care should be taken in unpacking and assembling the pool; this pool may contain accessible potentially hazardous sharp edges, sharp points, or small parts that are a necessary part of the pool's function.

TO AVOID DANGER OF SUFFOCATION: Keep the plastic bag used in this product away from babies and children; do not use the bag in cribs, beds, carriage, or playpens. The plastic bag could block nose and mouth and prevent breathing. The plastic bag is not a toy.

MAINTENANCE: Check and if needed retighten Handrail hardware periodically.

1. Warning. Only for domestic use.
2. Children can drown in very small amounts of water. Empty the pool when not in use.
3. Do not install the paddling pool over concrete, asphalt or any other hard surface.
4. Place the product on a level surface at least 2 m from any structure or obstruction such as a fence, garage, house, overhanging branches, laundry lines or electrical wires.
5. Keep the assembly and installation instructions for further reference
6. In order to prevent children from drowning, it is recommended to secure the access to the pool with a protection device.
7. One person need to install the product.
8. Installation time is around 15 minutes to 45 minutes.(excluding earthworks and filling).
9. Warning. Never leave your child unattended – drowning hazard.
10. Increase monitoring when several people are using the swimming pool.
11. Learn Basic Life Support (Resuscitation), especially the skills specific to children relevant to drowning and choking.
12. Prohibit running and lively games around the swimming pool.
13. Do not leave toys near or in the pool when it is not under surveillance.
14. Always maintain clear, healthy water.

Diving Risk

Do not dive into this pool. Diving into shallow water can result in a broken neck, paralysis, or death.

Electrocution Risk

1. Keep all electrical lines, radios, speakers, and other electrical appliances away from the pool.
2. Do not place pool near or under overhead electrical lines.

Special Warning

1. Local building codes may require obtaining a building or electrical permit. Installer shall follow regulations on setback, barriers, devices, and other conditions.
2. DO NOT attempt to assemble this pool in adverse weather conditions, windy conditions, or when the temperature is below 60°F.
3. This is a storable pool, which should be disassembled and stored when temperatures are expected to fall below 32°F.

Ensure that you have an accessible telephone close to the pool so that you do not have to leave your children unattended while you phone.

In the event of an accident;

1. Remove the child from the water as quickly as possible;
2. Immediately call the emergency services and follow the instructions they give you;
3. Replace wet clothing with warm blankets;
4. Memorise emergency phone numbers and display them near the swimming pool:
5. Fire brigade;
6. Emergency medical service;
7. Poison control centre.

For filtration, the safety instructions shall indicate that the pool must not be used when the filtration system(s) is/are damaged (if applicable).

Do not walk on the coping.

As the pool owner, you are responsible for those persons who use your pool. Therefore:

1. Never leave your children and other non-swimmers unattended in and around the pool - even for a moment;
2. Ensure that your children learn to swim as early as possible;
3. Ensure that the water is hygienically clean;
4. Refresh your knowledge of first-aid measures at regular intervals;
5. Store water treatment media out of the reach of children;
6. Discuss the rules of conduct with your children prior to them using the swimming pool and explain the risks that can arise when around water once they are of a sufficient age;
7. Contact your pool installer if you have any questions regarding safe use of the swimming pool.

The following items of equipment can provide additional pool safety. Your swimming pool specialist can advise you on these:

- safety cover;
- fencing around the pool with a lockable gate;
- pool alarm system;
- enclosure.

The general safety information cannot account for all circumstances in individual cases. You are best aware of the swimming abilities and the conduct of your children and of other guests using your pool, as well as the site particulars. You should therefore employ further measures to ensure safety at the pool if necessary. Such measures may for example include additional supervisory persons if the pool is being used by a number of non-swimmers at the same time.

Pool Maintenance

1. Empty pool completely after each use and store the empty pool in such a way that it does not collect water from rain or any other source.
2. After using pool, remove water to a level of 1/2 in. (1 cm) or less.
3. Carrying out checks and maintenance of the main parts every hour.
4. These checks are not carried out the product could overturn or otherwise become a hazard.
5. Check all nuts and bolts for tightness and tighten when required(if applicable).
6. Check all coverings for bolts and sharp edges and replace when required(if applicable).
7. Replace defective parts in accordance with the manufacturer's instructions.
8. Change the water of product frequently (particularly in hot weather) or when noticeably contaminated.

PARTS LIST

Rectangular Frame Pool	1		2		3		4		5	
	Pool Liner		U-Shaped Pipe		Corner Piece		Short Tube		Long Tube	
Pool Size	Part #	Qty.	Part #	Qty.	Part #	Qty.	Part #	Qty.	Part #	Qty.
13.1'X6.5'X39"	P40713390099	x1	P5A4B0003E01	x10	P5A5A0001E01	x4	P5A1B0009E01	x4	P5A1B0011E01	x6
13.1'X6.5'X48"	P40713480099	x1	P5A4B0002E01	x10	P5A5A0001E01	x4	P5A1B0009E01	x4	P5A1B0011E01	x6
7.38'X15'X48"	P40715480099	x1	P5A4B0002E01	x12	P5A5A0001E01	x4	P5A1B0008E01	x4	P5A1B0010E01	x8
9'x18'x48"	P40918480099	x1	P5A4B0002E01	x12	P5A5A0001E01	x4	P5A1B0003E01	x4	P5A1B0006E01	x8
8'x14'x36"	P40814360099	x1	P5A4B0001W01	x10	P5A5A0001E01	x4	P5A1B0008E01	x4	P5A1B0009E01	x6
9'x16'x52"	P40916520099	x1	P5A4B0004W01	x12	P5A5A0004W01	x4	P5A1B0003W01	x4	P5A1B0010W01	x8
9'x18'x52"	P40918520099	x1	P5A4B0001E01	x12	P5A5A0001E01	x4	P5A1B0003E01	x4	P5A1B0006E01	x8
10'x18'x52"	P41018520099	x1	P5A4B0004W01	x12	P5A5A0004W01	x4	P5A1B0012W01	x4	P5A1B0006W01	x8
10'x20'x52"	P41020520099	x1	P5A4B0004W01	x14	P5A5A0004W01	x4	P5A1B0012W01	x4	P5A1B0007W01	x10
12'x24'x52"	P41224520099	x1	P5A4B0001E01	x18	P5A5A0001E01	x4	P5A1B0005E01	x6	P5A1B0007E01	x12
13'x22'x52"	P41322520099	x1	P5A4B0001E01	x16	P5A5A0001E01	x4	P5A1B0004E01	x6	P5A1B0006E01	x10
16'x32'x52"	P41532520099	x1	P5A4B0001E01	x24	P5A5A0001E01	x4	P5A1B0010E01	x8	P5A1B0011E01	x16

SETUP INSTRUCTIONS

Before assembling your product, please take a few minutes to check the contents and become familiar with all the parts.

⚠ WARNING - DO NOT overfill the pool and / or allow people to lay over or sit on pool wall - DOING SO CAN CAUSE PERMANENT INJURY!
DRAIN pool to the proper level after a heavy rain.

TIP: It will be much easier to install your pool if you unfold it and let it lay in direct sunlight for about 2 hours prior to installation. This will help to insure a wrinkle-free fit because the pool material will be more pliable allowing it to form into shape during installation.

WARNING - VERY IMPORTANT! SITE MUST BE LEVEL, STABLE, COMPACTED SOIL.

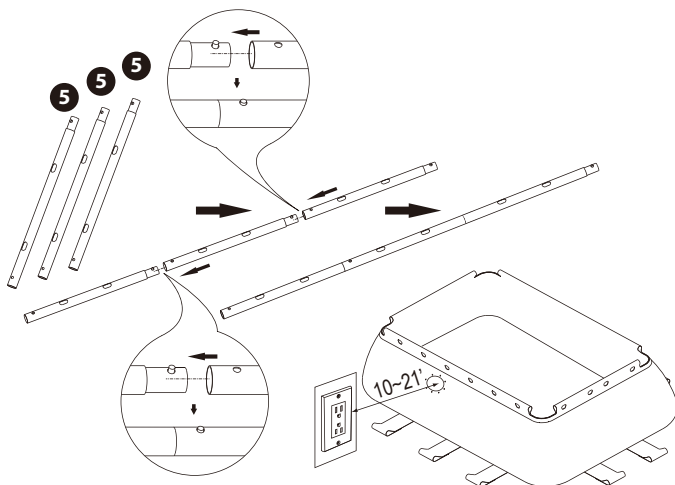
- The pool must be assembled on a smooth and level site of firm soil that is free of stones, gravel, sticks, blacktop, or other oil base compounds. Do not install pool on a wooden deck or any type of wooden surface. You cannot use sand and/or uncompacted soil to provide a level surface for this pool; it will only wash out.
- FAILURE TO FOLLOW THE INSTRUCTIONS BELOW WILL CAUSE POOL TO COLLAPSE AND WILL VOID THE WARRANTY!

1. Select a level area, and completely remove all debris, twigs, stones, etc. DO NOT select an area under overhead electrical lines, trees, or within 15 feet of a house, building, etc.
2. The pool shall be located a minimum distance of 6ft (1.83m) from any electrical receptacle.
3. All 220-240 volt, 15 and 20 ampere receptacles located within 20ft (6.0m) of the pool shall be protected by a residual current device (RCD).
The 20ft (6m) distance is measured via the shortest straight line distance the supply cord would follow without piercing a floor, wall, ceiling, doorway, window, or other permanent barrier.
4. Contact your local utilities, checking that no underground cables, telephone lines, gas lines, etc. run beneath the area you have selected.

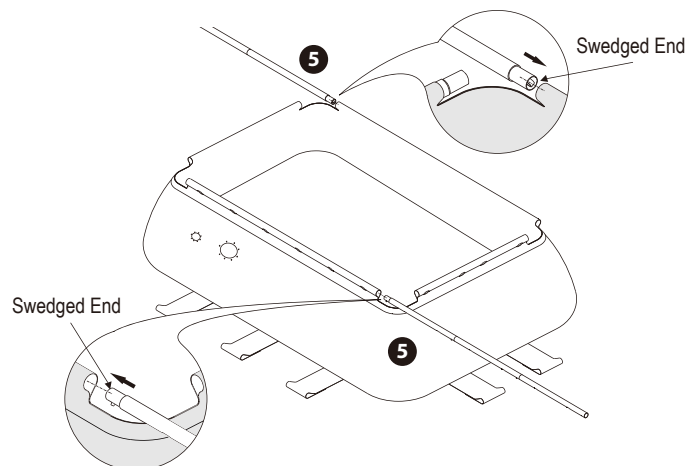
Setup Instructions

1. Locate a level and flat area to set up the pool. Make sure the ground is free from sharp objects, as they may puncture the pool.
2. LIFT the pool liner across the ground. DO NOT drag the liner from one location to another location.
3. Locate the pool so that the pump opening is 10 to 21 feet away from the electrical outlet.

4. Connect the ⑤ Tubes.

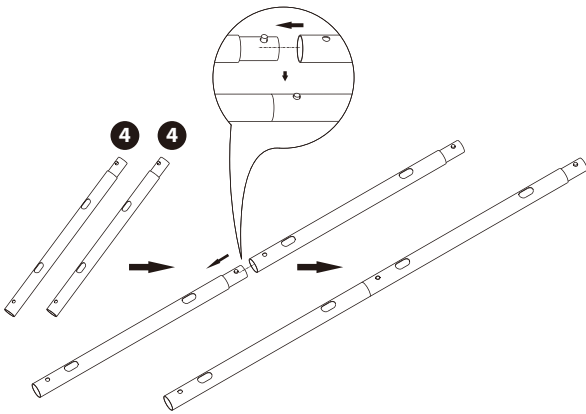


5. Carefully slide the connected ⑤ Tubes into the sleeves on the long sides of the pool.



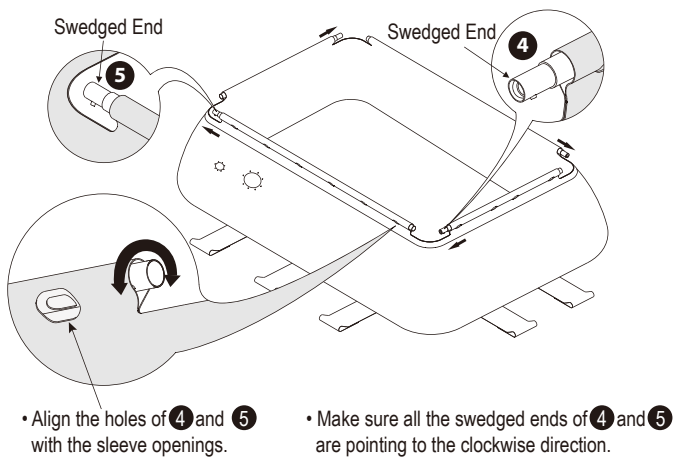
NOTE: Refer to the parts list on page 6 for the exact quantity of ⑤ Tubes. Connect half the total quantity to form the horizontal beams on the long sides of the pool.

6. Connect the **4** Tubes.

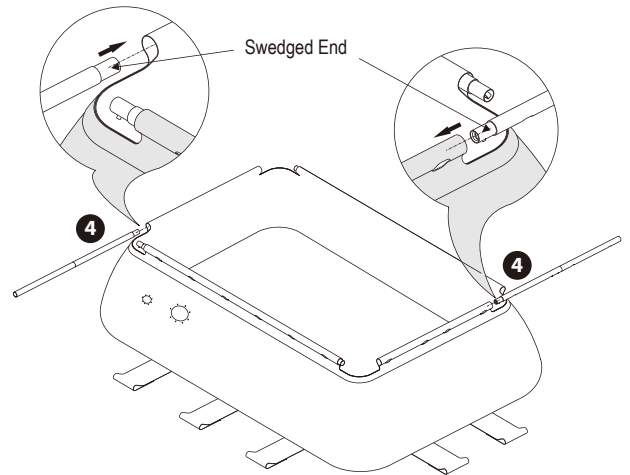


NOTE: NOTE: Refer to the part list on page 6 for the exact quantity of **4** Tubes. Connect half the total quantity to form the horizontal beams on the short sides of the pool.

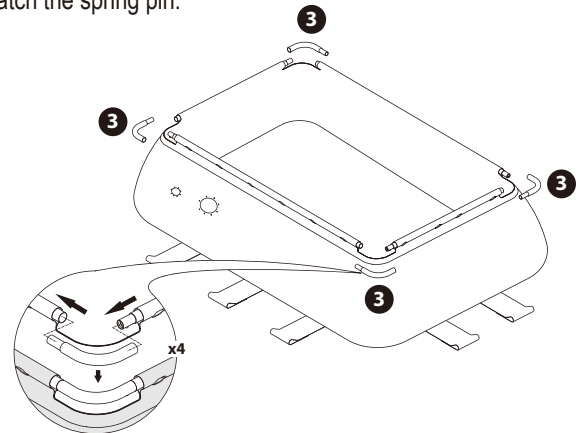
8. Rotate the tube to align the holds of the tube with the openings on the sleeves.



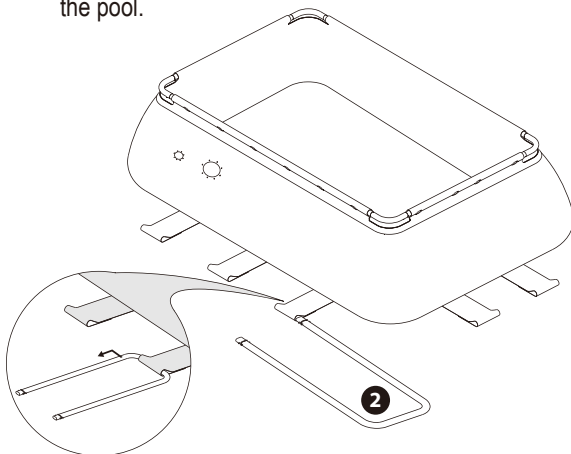
7. Carefully slide the connected Short Tubes **4** into the sleeves on the short sides of the pool.



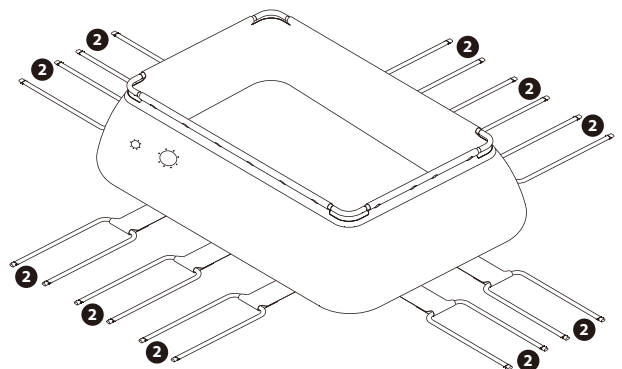
9. Connect the **3** Corner Piece to the takes at 4 Corner. A closed rectangular pool frame is now frame at the pool top.
NOTE: The Conner Piece **3** DO NOT have a hole to catch the spring pin. THIS IS NORMAL. Only **4** **5** Tubes have holes to catch the spring pin.



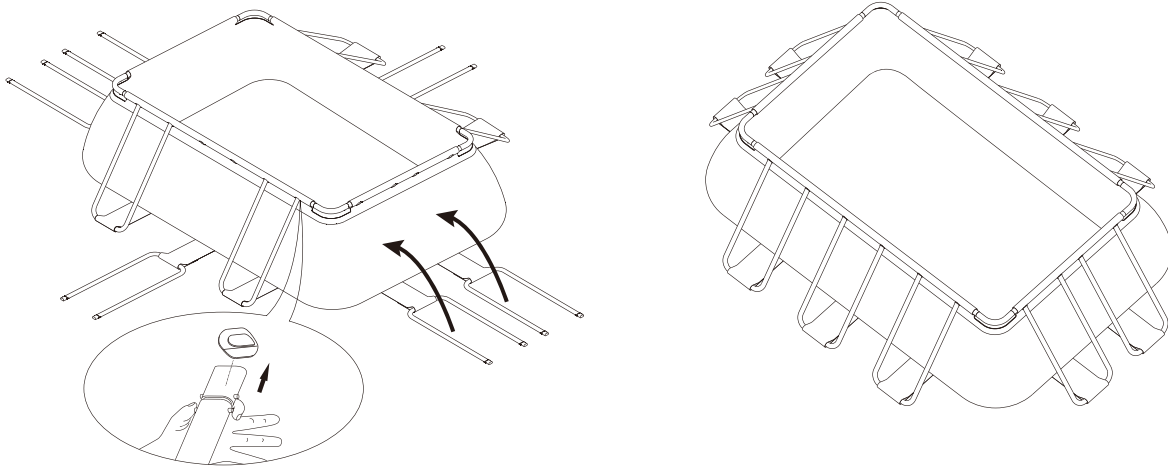
10. Insert the **2** U-Shaped Pipe take to the straps at the bottom of the pool.



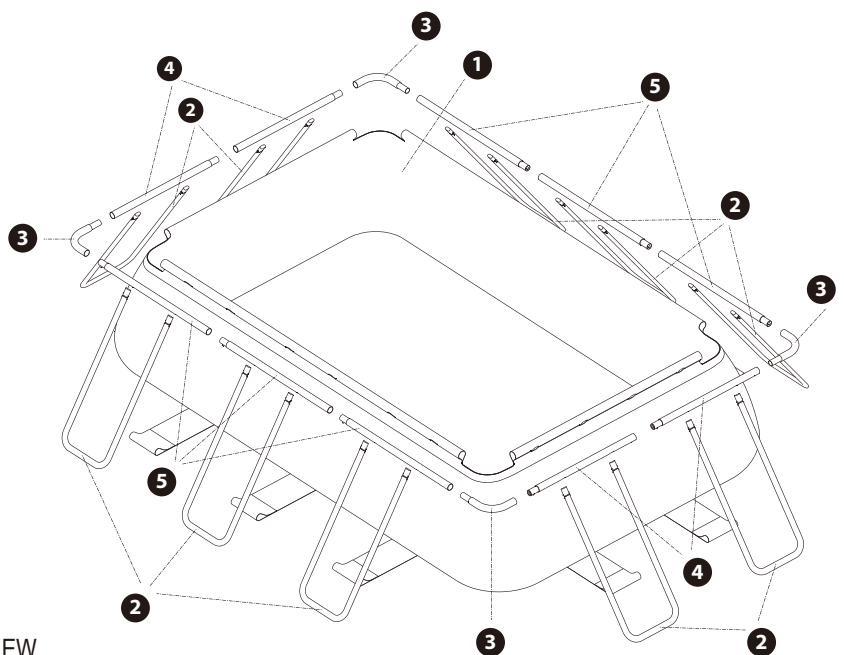
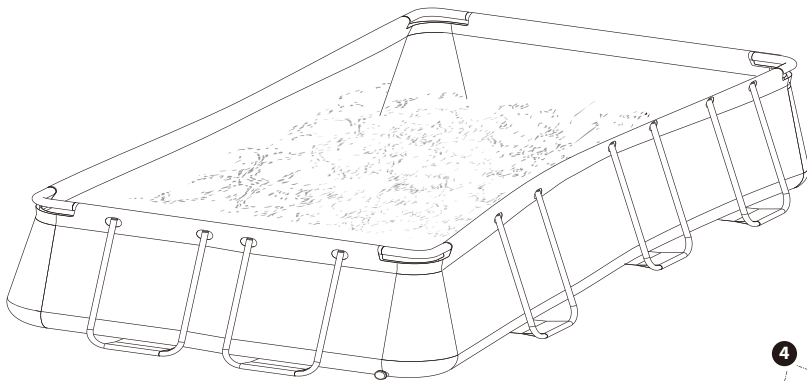
11. Continue to insert all **2** U-Shaped Pipe.



12. Insert the ends of the ② U-Shaped Pipe to the top frame.



13. Make sure the drain fitting is plugged securely and the cap is in place.
 14. Start filling the pool with water until 1-inch of water is on the bottom, stop filling and smooth wrinkles out of the bottom of the pool. Push outward from inside the pool removing all wrinkles so that it fills evenly and flat. IF MORE THAN 1-2 INCHES OF WATER COLLECTS ON ANY ONE SIDE BEFORE THE POOL STARTS FILLING IN THE CENTER, THE POOL IS NOT LEVEL ENOUGH, AND MUST BE CORRECTED, SEE "SETUP INSTRUCTIONS" ON PAGE 8.
 15. Install the Filter pump by following the instructions in the "Swimming Pool Filter System" owner's manual. Once the filter pump is installed, continue filling water into the pool.
 16. When the water half filled, the top frame will tend to bend down at the middle. IT IS ABSOLUTELY NORMAL. Continue to fill water to the optimal level, the frame will restore to its normal shape.



EXPLODED VIEW

POOL MAINTENANCE & DRAINAGE

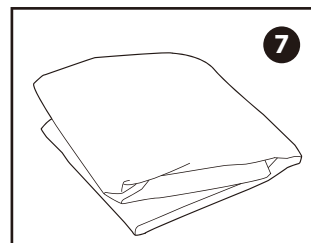
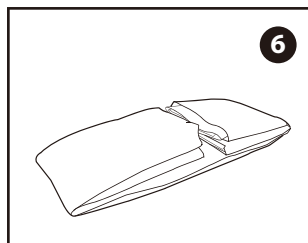
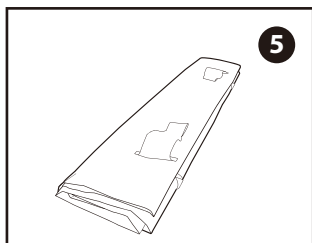
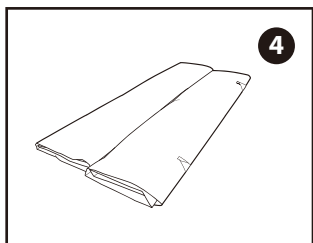
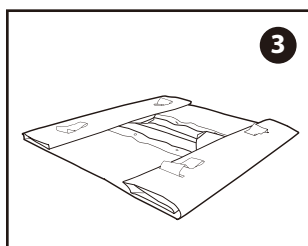
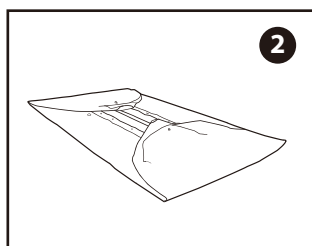
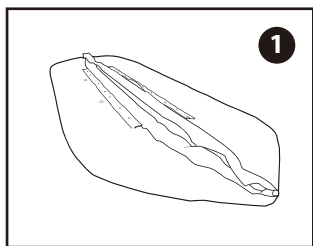
CAUTION: ALWAYS FOLLOW THE CHEMICAL MANUFACTURER'S DIRECTIONS, AND THE HEALTH AND HAZARD WARNINGS.

Do not add chemicals if the pool is occupied. This can cause skin or eye irritation. Concentrated chlorine solutions can damage the pool liner. In no event is Polygroup®, the buyer, or any other party liable for costs associated with the loss of pool water, chemicals, or water damage. Keep spare filter cartridges on hand. Replace cartridges every two weeks. We recommend the use of Polygroup® Filter Pump with all of our above-ground-pools. To purchase a Polygroup® Filter Pump or other accessories, visit our website or call Polygroup® Consumer Services.

EXCESSIVE RAIN: To avoid damage to the pool and over filling, immediately drain rain water that causes the water level to be higher than the maximum.

How to Drain Your Pool and Long Term Storage

1. Check local regulations for specific directions regarding disposal of swimming pool water.
2. Check to make sure that the drain plug inside the pool is plugged in place.
3. Remove the cap from the drain valve on the outside pool wall.
4. Place the other end of the hose in an area where the water can be safely drained away from the house and other nearby structures.
5. When the water stops draining, start lifting the pool from the side opposite the drain, leading any remaining water to the drain and emptying the pool completely.
6. Disconnect hose and adapter when finished.
7. Re-insert drain plug in drain valve on inside of pool for storage.
8. Replace drain cap on outside of pool.
9. Completely deflate the top ring, and remove all connecting parts.
10. Be sure that the pool and all parts are completely dry before storage. Air dry the liner in the sun until completely dry before folding (see drawing ①). Sprinkle some talcum powder to prevent the vinyl from sticking together and to absorb any residual moisture.
11. Create a square shape. Starting at one side, fold one-sixth of liner into itself twice. Do the same on the opposite side (see drawings ② & ③).
12. Once you have created two opposing folded sides, simply fold one over the other like closing a book (see drawings ④ & ⑤).
13. Fold the two long ends to the middle (see drawing ⑥).
14. Fold one over the other like closing a book, and finally compact the liner (see drawing ⑦).
15. Store the liner and accessories in a dry, temperature controlled storage location, between 32 degrees Fahrenheit (0 degrees Celsius) and 104 degrees Fahrenheit (40 degrees Celsius).
16. The original packing can be used for storage.



POOL STORAGE & WINTERIZING

Winterizing Your Above Ground Pool

After usage, you can easily empty and store away your pool in a safe place. Some pool owners, however, choose to leave their pool up all year round. In cold areas, where freezing temperatures occur, there can be a risk of ice damage to your pool. We therefore recommend you drain, disassemble, and properly store the pool, when the temperature drops below 32 degrees Fahrenheit (0 degrees Celsius).

Clean the Pool Water Thoroughly

1. Clean the pool water thoroughly.
2. Remove the skimmer (if applicable) or any accessories attached to the threaded strainer connector. Replace strainer grid if necessary. Be sure all accessories parts are clean and completely dry before storage.
3. Plug the Inlet and Outlet fitting from the inside of the pool with the plug provided (sizes 16' and below). Close the Inlet and Outlet Plunger Valve (sizes 17' and above).
4. Remove the ladder (if applicable) and store in a safe place. Be sure the ladder is completely dry before storage.
5. Remove the hoses that connect the pump and filter to the pool.
6. Add the appropriate chemicals for the winter period. Consult your local pool dealer as to which chemicals you should use and how to use them. This can vary greatly by region.
7. Cover pool with Polygroup® Pool Cover. IMPORTANT NOTE: Polygroup® POOL COVER IS NOT A SAFETY COVER.
8. Clean and drain the pump, filter housing, and hoses. Remove and discard the old filter cartridge. Keep a spare cartridge for the next season.
9. Bring pump and filter parts indoors and store in a safe and dry area, preferably between 32 degrees Fahrenheit (0 degrees Celsius) and 104 degrees Fahrenheit (40 degrees Celsius).

POOL SAFETY SIGN

POST THIS WARNING NEAR YOUR POOL



WARNING

NO DIVING OR JUMPING SHALLOW WATER

DIVING MAY RESULT IN PERMANENT INJURY OR DEATH



- Be Safe. Swim with a friend.
- Children must be accompanied by an adult.
- Don't swim when using alcohol or drugs.
- Be familiar with the pool before swimming.
- No running, jumping, or horseplay in or around pool.
- No glass in pool area.



TO AVOID SERIOUS INJURY ALL POOL USERS MUST KNOW AND FOLLOW THESE SAFETY RULES.

POOL COVER SAFETY

IF YOU ARE GOING TO USE A POOL COVER, SOLAR COVER, OR SOLAR BLANKET, PLEASE READ THIS INFORMATION.

POOL COVER WARNING SOLAR COVER WARNING

WARNING

AVOID DROWNING RISK

STAY OFF COVER - WILL NOT SUPPORT WEIGHT.

KEEP CHILDREN AWAY. CHILDREN OR OBJECTS CAN NOT BE SEEN UNDER COVER.

REMOVE STANDING WATER - CHILD CAN DROWN ON TOP OF COVER.

REMOVE COVER COMPLETELY BEFORE ENTRY OF BATHERS - ENTRAPMENT POSSIBLE.

NON-SECURED OR IMPROPERLY SECURED COVERS ARE A HAZARD.

FAILURE TO FOLLOW ALL INSTRUCTIONS MAY RESULT IN INJURY OR DROWNING.

THIS IS NOT A SAFETY COVER.

TYPE OC COVER CLASSIFICATION.

INSTALL COVER WITH LABELS FACING UP.

USE DRAWSTRING TO SECURE COVER TO POOL.

THIS COVER MEETS REQUIREMENTS DESCRIBED IN SPECIFICATION F-1346 (ASTM).

SOLAR BLANKET WARNING

WARNING

AVOID DROWNING RISK

STAY OFF COVER - WILL NOT SUPPORT WEIGHT.

KEEP CHILDREN AWAY. CHILDREN OR OBJECTS CAN NOT BE SEEN UNDER COVER.

REMOVE STANDING WATER - CHILD CAN DROWN ON TOP OF COVER.

REMOVE COVER COMPLETELY BEFORE ENTRY OF BATHERS - ENTRAPMENT POSSIBLE.

NON-SECURED OR IMPROPERLY SECURED COVERS ARE A HAZARD.

FAILURE TO FOLLOW ALL INSTRUCTIONS MAY RESULT IN INJURY OR DROWNING.

THIS IS NOT A SAFETY COVER.

TYPE OC COVER CLASSIFICATION.

INSTALL COVER WITH LABELS FACING UP.

USE DRAWSTRING TO SECURE COVER TO POOL.

THIS COVER MEETS REQUIREMENTS DESCRIBED IN SPECIFICATION F-1346 (ASTM).

VERY IMPORTANT

DO NOT USE A POOL COVER, SOLAR COVER, OR SOLAR BLANKET ON THIS POOL IF IT DOES NOT HAVE THIS TYPE OF WARNING LABEL ON THE COVER.

DANGER:

Competent supervision and knowledge of the safety requirements are the only ways to prevent drowning or permanent injury in the use of this product!

Never leave young children unattended.

CUSTOMER SERVICES CONTACT

COUNTRIES / REGIONS	SERVICE CENTER LOCATIONS
United Kingdom	<p>Telephone: 01702208172</p> <p>Address: Geemac sales & Marketing Limited 12 Eldon Way Hockley Essex SS5 4AD</p>
France	<p>Telephone: 33(0) 9 69 360535</p>
Spain	<p>Telephone: 0902848775</p>
Italy	<p>Telephone: 0800788298</p> <p>Address: 12 Eldon Way Hockley Essex</p>
Germany	<p>Telephone: 0621 8455 210</p> <p>Address: Germany Sales & Service Office RMS GmbH Besselstr.25, 68219 Mannheim Service@rms-gruppe.de</p>
Australia and Islands	<p>Telephone: 1800-451-190</p>

For answers to most frequently asked questions, please visit <https://polygroup.zendesk.com/hc/en-us>